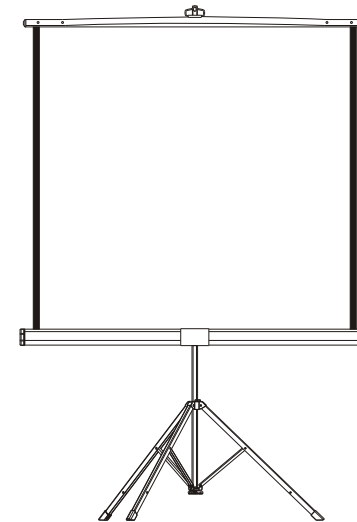


**Instruction Manual**  
**Portable Series Tripod Screen Charming Model**

---



Model: PT-Hxx

**Grandview Crystal Screen Canada Ltd.**

#11- 3751 North Fraser Way,  
Marine Way Business Centre,  
Burnaby, BC, Canada V5J 5G4  
Tel: 1-604-412-9777 Fax: 1-604-412-9796  
Website: www.grandviewscreen.ca

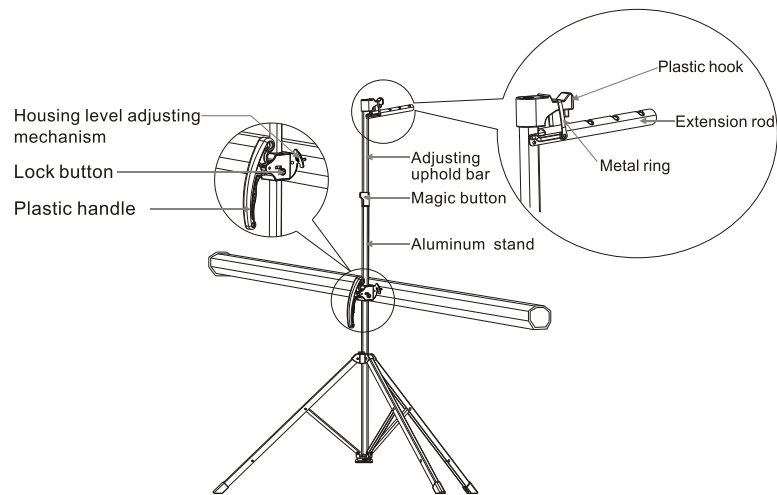
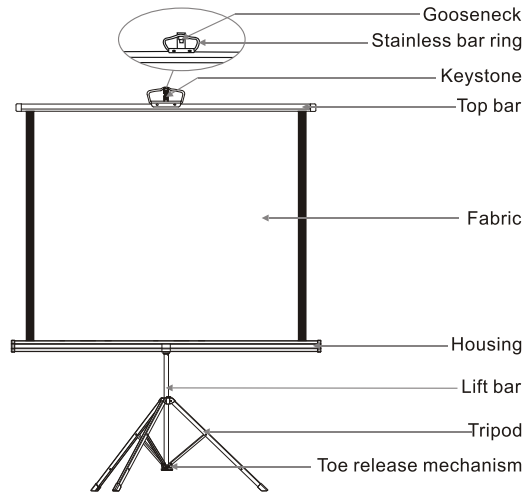
**Guangzhou Grandview Crystal Screen Co., Ltd.**

P.O. 511400 Federal Ind. Zone No. 363, Yushan West Road,  
Shiqiao, Panyu District, Guangzhou, Guangdong, China  
Tel: +8620-8489-9499 Fax: +8620-8480-3343  
Website: www.grandviewscreen.com  
www.grandviewscreen.com.cn



Thank you for purchasing a Grandview projection screen.  
Before use, please read instructions carefully. After installation, store instructions for future reference.

## Description



## Warnings

1. Please make sure the Tripod stand is fully extending during using, this can assure stability and safety.
2. The screen could be raised or lowered to the desired position by following the screen operation instructions.
3. There is a nail at the middle of Top bar, please make sure it locked onto the slot nearby the Plastic handle. Otherwise it would cause damage during carrying.
4. Push gooseneck into opening on case end cap until it locks.
5. Before carrying the screen, make sure the tripod foots are locked by toe release mechanism.



Ignoring the safety warnings may lead to injuries and/or damaging the product.



Roll up the screen after every use. Leaving it hanging for a long period of time may cause the fabric to loosen.



Refrain from hanging anything on the screen as it may cause the screen to fall.

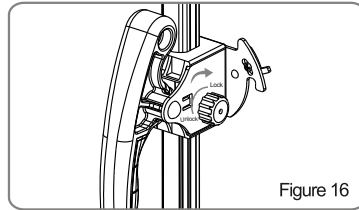


Please contact your local dealer for repairs or maintenance. Please contact our company if you have any further questions. Avoid taking apart the fixtures yourself. Loose parts may cause the screen to fall.

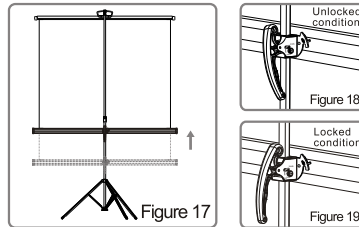
Do not take apart and replace with unknown parts. If there are any problems, please contact your local dealer. Product specifications are subject to change.

## Retracting the Screen

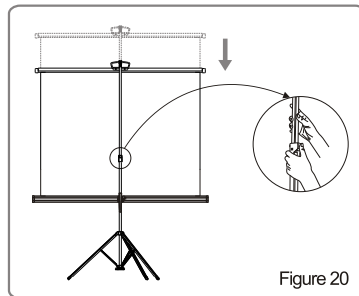
1. Turn the lock button to "LOCK" position.  
(Figure 16)



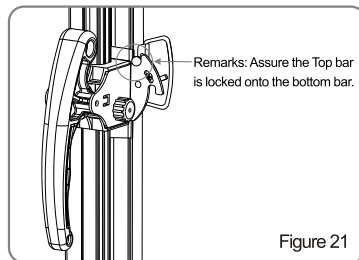
2. Unlock the plastic handle, raise the housing by pulling up the hand until a "click" sound, then lock the plastic handle. (Figure 17-19)



3. Hold the Adjusting uphold bar with one hand, then press the Magic button with another hand to lower down the Adjusting uphold bar to lowest position. (Figure 20)

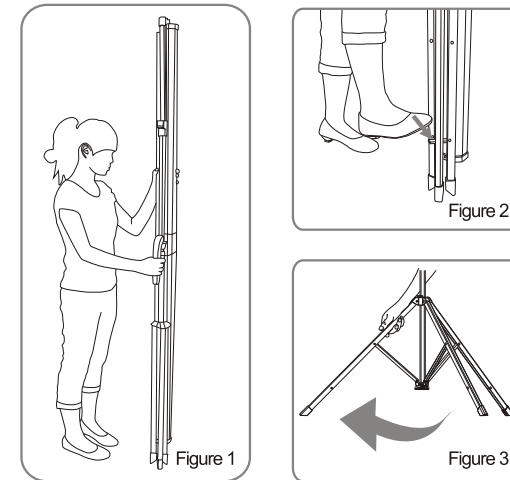


4. Lift the bar ring from the gooseneck and slowly complete re-rolling the screen fabric into the housing, swing the housing into vertical position, push gooseneck into opening on case end cap until it locks. (Figure 21)

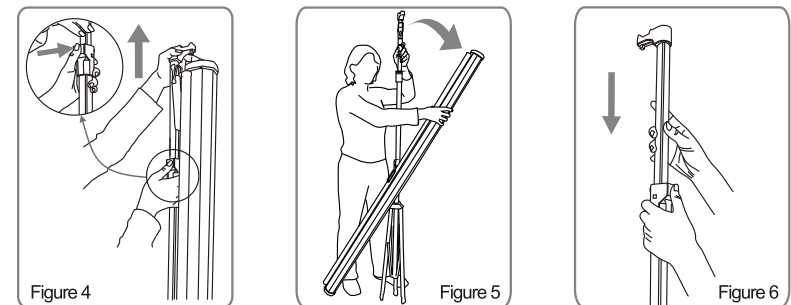


## Displaying the Screen

1. Grasp the plastic handle with one hand, hold the housing with another hand, step on the toe release mechanism to fully stretch the tripod on the ground. (Figure 1-3)



2. Open the screen in usual manner by pressing push button. (Figure 4)
3. Rotate the housing counterclockwise until horizontal position. (Figure 5)
4. Press the Magic button to lower down Adjusting uphold bar to the lowest point. (Figure 6)



5. Displaying the screen:

Method 1: Lift and hang the Stainless bar ring onto the Plastic hook. (Figure 7-8)

Method 2: Raise the extension rod and secure by hooking rig over gooseneck, lift the screen fabric and hook it on the one of the slots in the eliminator. You could choose from the three slots according to the degree of tilt of the surface. (Figure 9 - 10)

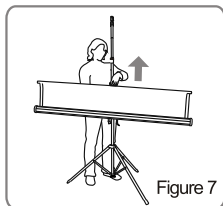


Figure 7

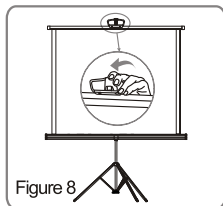


Figure 8

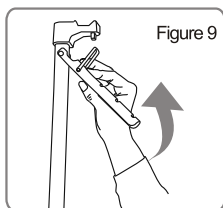


Figure 9

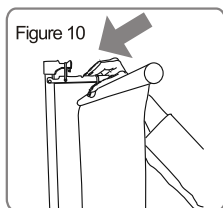


Figure 10

6. To meet different viewing height (from floor to housing), you can adjust the position of housing via the Plastic handle. (Figure 11)

Method: Turn the lock button to “Unlock” position, unlock the plastic handle, lower down the housing by pulling down the plastic handle to desired position, then lock the plastic handle. (Figure 12-13)

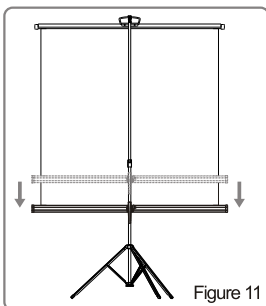


Figure 11

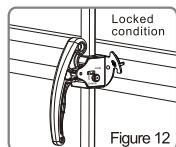


Figure 12

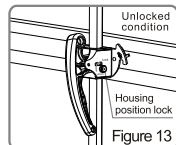


Figure 13

7. Grasp bottom bar firmly with one hand, grasp and raise adjusting bar with another hand. (Figure 14)

Remarks: You don't need to press the Magic button while raise the Adjusting uphold bar. The screen viewing area can display in 1:1, 4:3 or 16:9 format according to different height of Adjusting uphold bar and height of housing.

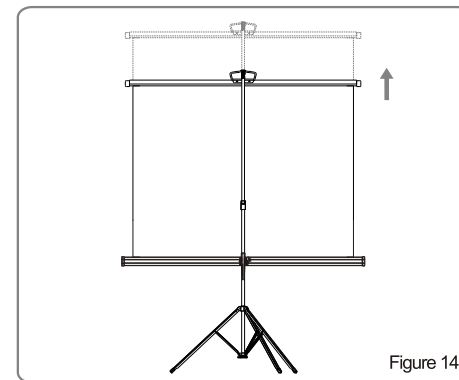


Figure 14

### Special Housing adjusting system

If the housing is a little inclined when fully displayed, it could be adjusted by adjusting the Housing level adjusting mechanism. (Figure 15)

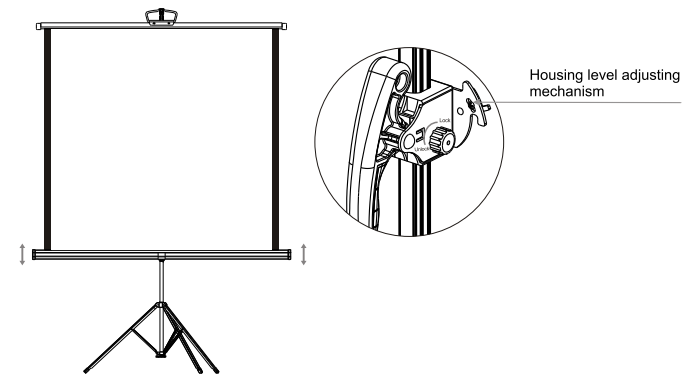


Figure 15